

Let's Splash Ball Run Water Table



Consumer Information

DO NOT DISCARD: IMPORTANT LITERATURE. KEEP THIS INSTRUCTION FOR FUTURE REFERENCE. PLEASE READ AND FOLLOW INSTRUCTIONS CAREFULLY AND IDENTIFY ALL PARTS BEFORE ASSEMBLY.

CAUTION

- Observe the following statements and warnings to reduce the likelihood of serious or fatal injury.
 - DO NOT allow children to play on this product until it is completely installed.
 - DO NOT allow children to sit, stand or climb on the water table. Failure to do so may cause the product to become unstable.
 - On-site adult supervision is required for children of all ages at all times when on or around this product. Never leave children unattended.
 - Adult assembly required. No tools required.
-
- This product is designed for family domestic use only.
 - Warning. Only for domestic use. Suitable for indoor and outdoor use. This product is designed for normal residential use only, and is not intended for use in schools, parks, day care centers, nurseries, or other public places.
 - Warning. Do not aim at eyes or face.
 - This item should be used on fiat areas only.
 - This product is intended for use by children ages 1½ - 4 years.
 - Use only the balls provided with this unit.
 - Maximum Loading: each side holds up to 1.8 gal (7 L) of water (not included).

Care

- Make sure all the parts are securely snapped together before use.
- Water should be changed frequently. Occasional sanitizing is recommended to remove debris and prevent bacterial growth.
- Clean the table regularly with mild soapy water in order to avoid a build up of static electricity. DO NOT immerse the product.
- DO NOT leave this item exposed to strong wind and inclement weather.
- At the end of each play season or when temperature falls below 32°F / 0°C, outdoor use of this product is not recommended. In extreme cold, plastic materials lose resilience and may become brittle and crack upon impact. Remove and store product indoors.
- Discard all packaging properly after the unit has been assembled.
- Disassemble and dispose of this product in a safe place and manner, so as not to present any safety hazards to other individuals who may come upon the discarded item.

For Disposal

The owner of this product should disassemble and dispose of the playground equipment in such a way that no unreasonable hazards will exist at the time the playground equipment is discarded.

Limited Warranty

(Not applicable in Australia and New Zealand)

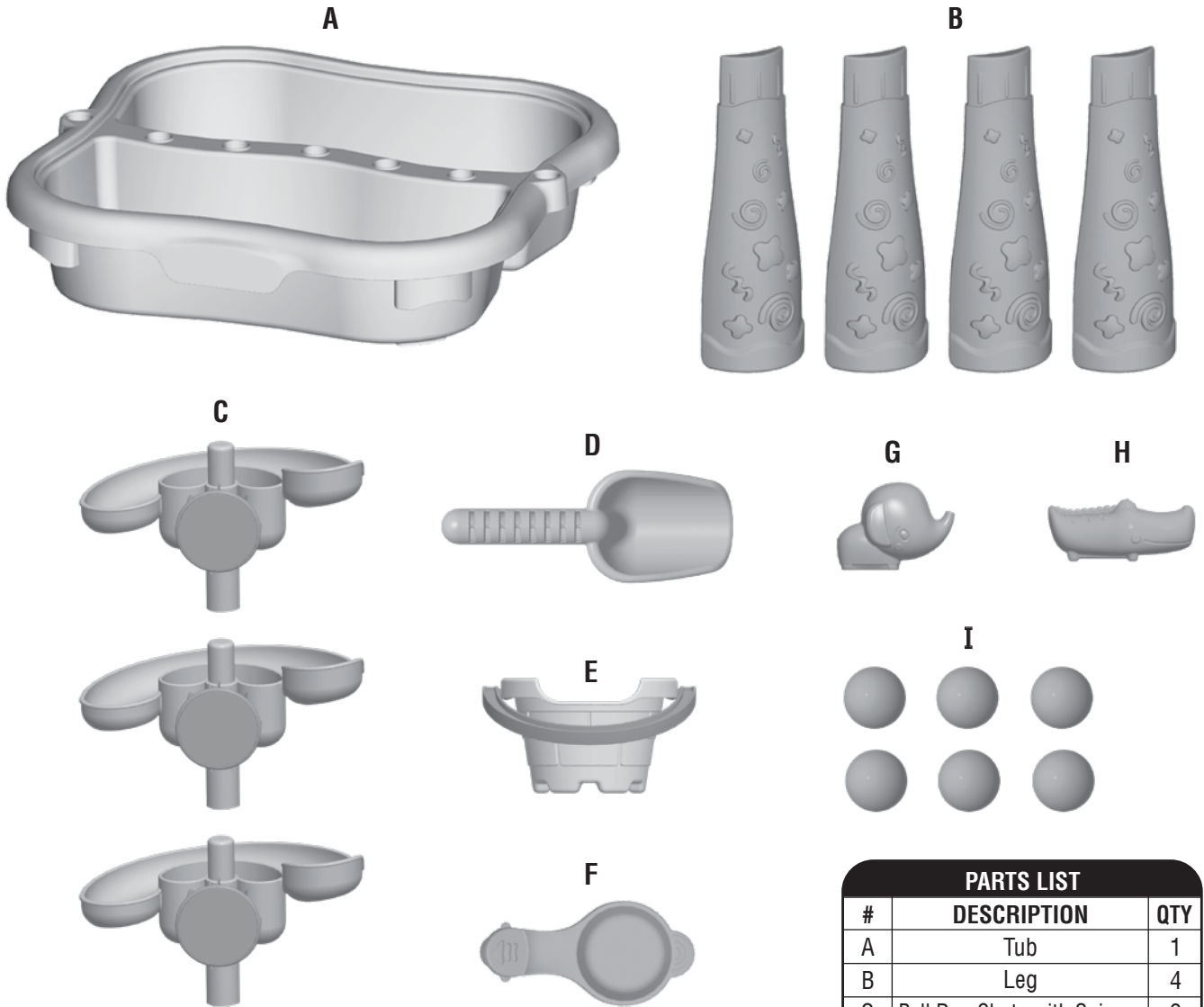
Our products are covered under warranty for a period of 60 days from the date of purchase, under normal use and service, against defective workmanship and material. If you have recently purchased this product and find it to be defective in anyway, kindly return it to the "Source of Purchase" for a Full Refund or Exchange.

Should the product no longer be covered by your Purchase Receipt, or should you have any questions pertaining to our product, please call our Toll Free Customer Service for assistance.

Keep a copy of the UPC Code with proof of purchase receipt for any future Warranty Service.

Please retain packaging and assembly instruction for future reference.

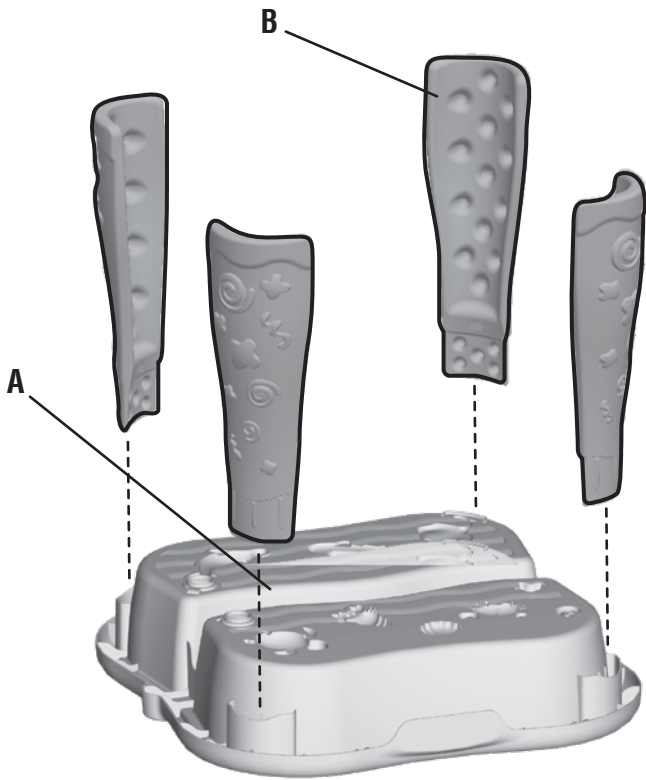
Parts



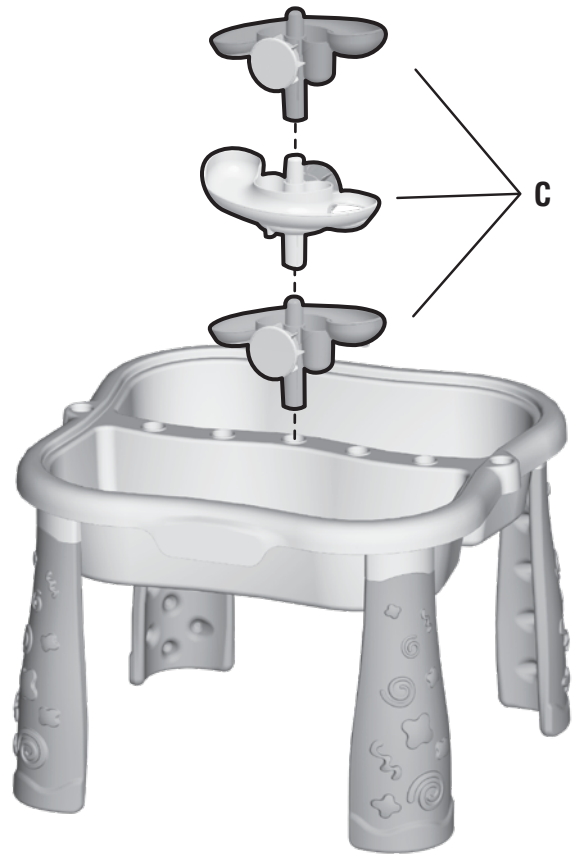
Note: Illustrations not to scale.

PARTS LIST		
#	DESCRIPTION	QTY
A	Tub	1
B	Leg	4
C	Ball Run Chute with Spinner	3
D	Shovel	1
E	Bucket	1
F	Flipper	1
G	Squirter (Elephant)	1
H	Squirter (Alligator)	1
I	Ball	6

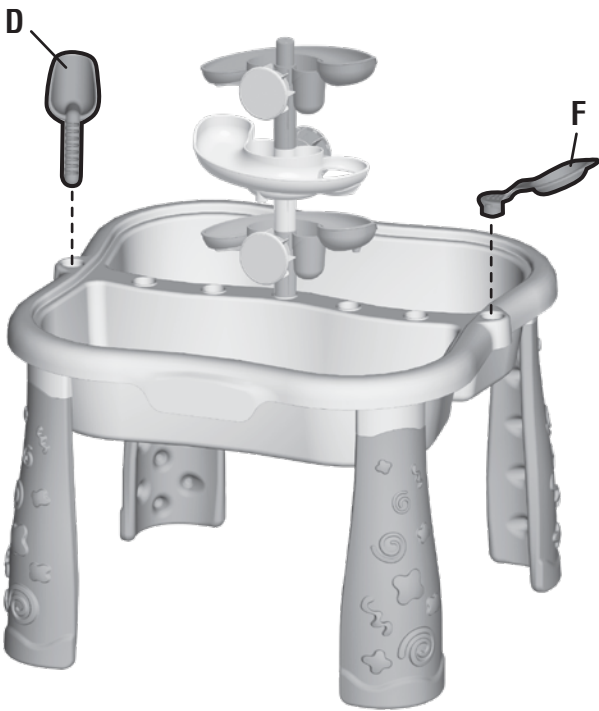
Assembly



1



2



3

CONSUMER ASSISTANCE



US & Canada only:

Call toll free 1-888-468-9898 24 hours, 7 days a week

service@grow-n-up.com

Other countries:

support@grow-n-up.com

www.grow-n-up.com

FISHER-PRICE™ and associated trademarks are owned by and used under license from Mattel in the US and Mattel Europa B.V. outside of the US. ©2023 Mattel. Manufactured for and distributed by Grow'n Up Ltd. Tsim Sha Tsui, Hong Kong. MADE IN CHINA(SZ).